



U.S. Department of Energy
Carlsbad Field Office
Waste Isolation Pilot Plant
P.O. Box 3090
Carlsbad, New Mexico 88221

Media Contact:

Paivi Nettamo
WIPP Recovery Communications
(202) 586-4009

www.wipp.energy.gov

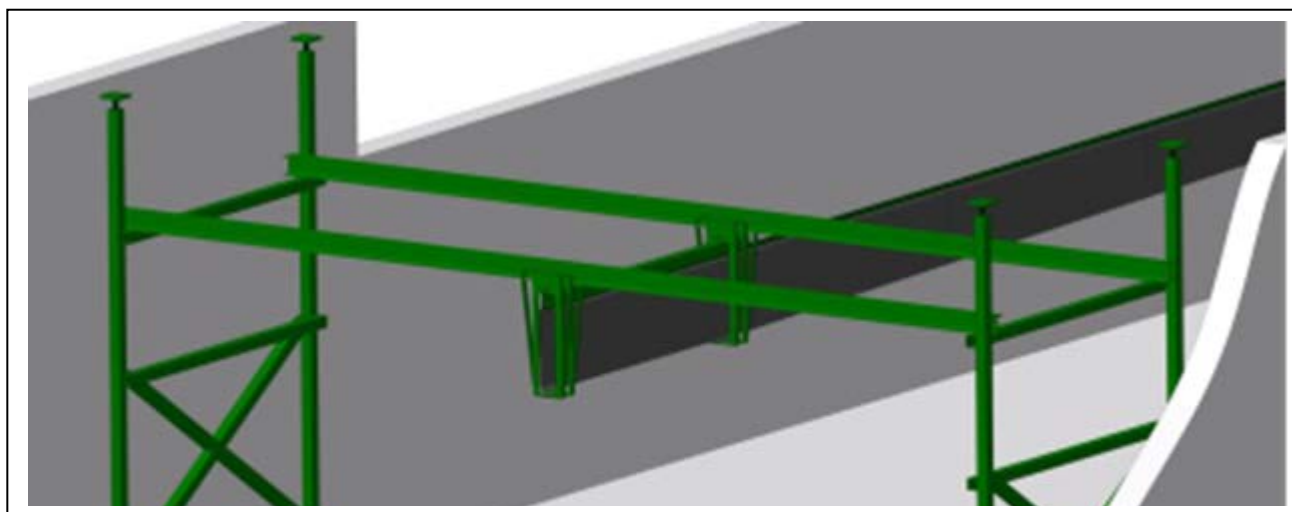
 @WIPPNews

WIPP UPDATE: July 11, 2014

Project Reach investigation continues in Room 7

WIPP employees are continuing their efforts to develop a system that allows workers to obtain additional video footage, photographs, and samples in Room 7 of Panel 7. The Accident Investigation Board requested this work to gather more information on the waste containers beyond what has already been obtained.

To date, the project has been able to examine the first 16 rows of waste containers. After evaluating and testing a variety of options, the Reach team selected a 90-foot carbon adjustable boom with a base that rides on a beam system. This will allow the examination of 24 rows of waste containers by moving a camera and collection device from wall to wall and also along the length of Room 7.



Graphic depicts a concept of how a gantry system could be installed in Room 7 to allow additional video, photographs and samples to be obtained.

Station A & B sampling results available

Laboratory results from samples collected at Station A (before filtration) and Station B (after filtration) continue to show activity levels similar to those seen prior to the February 14 radiological event. For complete results, please click on the following link or cut and paste it into your browser.

[http://www.wipp.energy.gov/Special/Ventilation System Sampling Results.pdf](http://www.wipp.energy.gov/Special/Ventilation%20System%20Sampling%20Results.pdf)